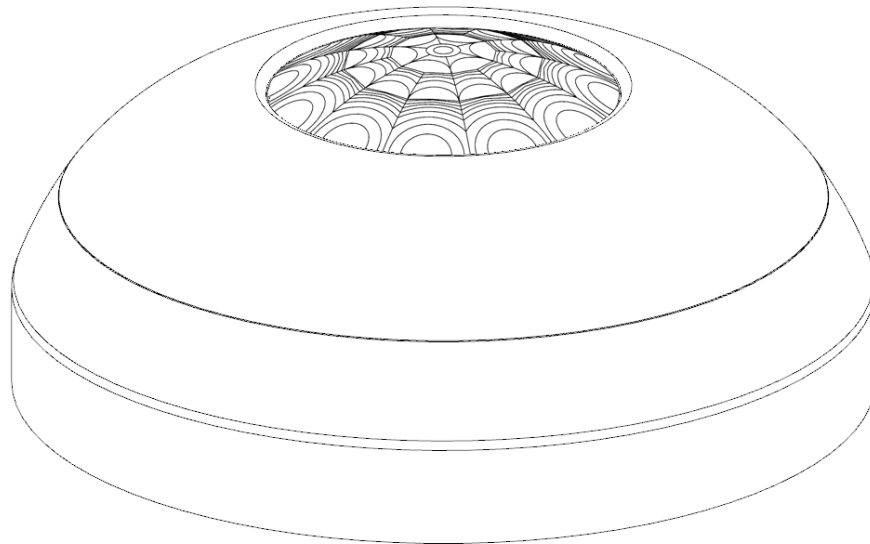




TIS AIR Energy servant Wireless Motion Sensor with Infrared Emitter

Model: AIR-ES-IR
Data Sheet Rev 1.2



Safety instructions

Electrical equipment may only be installed and fitted by electrically skilled persons. Failure to observe the instructions may cause damage to the device and other hazards. These instructions are an integral part of the product, and must remain with the end customer.

Basic information

This device is a product of the TIS system. It is a ceiling mount device with Saving energy functions which can be controlled and communicate with other devices in the network by TIS protocol messages, technical knowledge obtained in TIS training courses is a prerequisite to proper understanding how to install device. Advanced Programming knowledge about software obtained in the advanced training courses.

Intended use

Control lighting, control infrared devices, and saving energy.

Product characteristics

Input	PIR motion sensor IR receiver Temp sensor Light intensity Meter	Dual element pyro-electric ceramic TIS Infrared code receiver Resistance Temp sensor Detection range 0-2000 Lux
Detection	PIR range PIR detection angle	4-6 meters (installation height 2.6 - 3 meters) 110° from the ceiling down
Power supply	Input Voltage Output Power Protection Current consumption	80-240 VAC 50/60 Hz 3W / 12V Built in Protection fuse 10-30 mA / 12 V DC
Outputs	Infrared transmitters Number of channels Nominal voltage Nominal current per channel	4 probes to cover 260 degree 1 0 – 230 V AC 50/60 Hz 8 A / 230 VAC
Output switching current	Max switching current Max Continues current Max. switching Voltage	10A/230 VAC Resistive 6A/230 VAC florescent 8A/230 VAC 277VAC / 30VDC
Output service life	Mechanical Endurance	> 10,000,000 OPS
TIS AIR	WIFI Signal Protocol Standard	2.4 GHz 802.11 b/g/n
Reaction time		approx. 30ms
Mounting	Celling mount	by 2 screws on the base of the sensor
Operating and display elements	Programming button Indicator LED Upgrading	For assignment of the physical address Blue and Red LED BY WIFI
Functions	Logic/ Timers IR Code memory / Flags Security Function IR receiver	32 Timers and Logic conditions 200 IR code memory and Flags Away, Night, Day, fire alarm setting 12 buttons function
Weight	Without packaging	0.07 KG
Dimensions	Width x length x height	92mm x 92mm x 39 mm
Housing	Materials Casing color Base color IR window cover IP rating	ABS anti fire / PC anti fire Gray White Black Transparent White IP 20
Temperature range	Operation Storage Transport	-10...60°C -20...50°C -25...75°C
Air humidity		<85% non-condensing

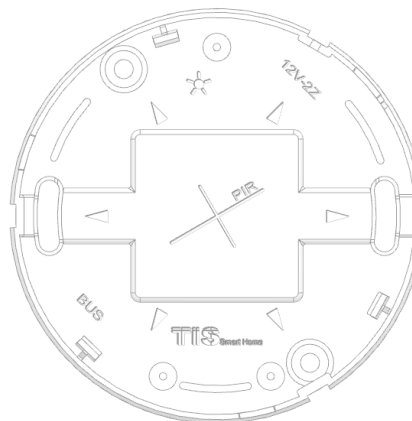
Installation Tips

PIR angles are different in detection strength, as you see in the base there is



PIR instruction .

For best installation please install the sensor base in the direction of the longer row to cover more area in your room.



IR Arrows

There is 6 Arrows or triangles that indicate the direction of IR transmitters.

Lux meter

The Sun logo will indicate to the light intensity sensor position.



Warranty

We provide a warranty as provided for by law.

Product serial number is provided by each device.

Please send the description of the defect with Product S/N to our dealer network.

info@tissmarthome.com

www.tissmarthome.com